

TCP TOOL TIGHTENING FIXTURE CF MEASURING PROBE PGV PRECISION HYDRAULIC VISE NBK ROUND SUPER THIN CHUCK S



OTHERS

TCP, CF, PGV, NBK



5.000652102.5624652364486625
2162.5624652364486625
108652109.5624652364486625
108652109.5624652364486625
108652109.5624652364486625



Tool Holder is Changeable

Easy assemble and dis-assemble tool holder from main body while pressing the valve on the right hand side of the unit.



Tool Holder is Adjustable up to 360°

Easily adjusts tool holders for a full 360° (45° increments) by pushing the valve on the top of the tightening fixture.

4pcs of M10x40mm bolt can be fastened from the top of the mounting flange or 4pcs of M12 bolt can be fastened from the bottom of the mounting

Tightening Fixture Main Body



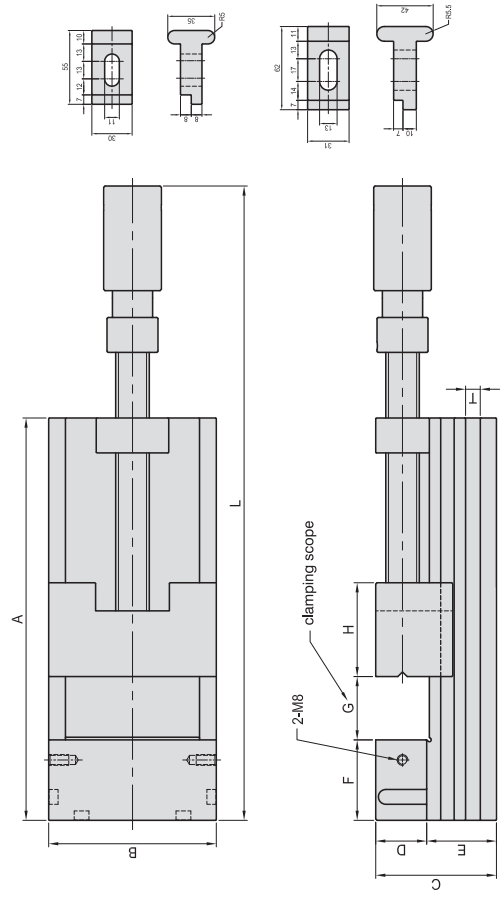
| Model No. | kg |
|-----------|----|
| TCP-150 | 6 |

Tool Holder



| Model No. | kg | Model No. | kg |
|--------------|-----|---------------|-----|
| TCP-BT30 | 2.3 | TCP-HSK-A-100 | 3.8 |
| TCP-BT40 | 2.8 | TCP-HSK-E-25 | 2.3 |
| TCP-BT50 | 4.8 | TCP-HSK-E-32 | 2.5 |
| TCP-HSK-A-40 | 3.3 | TCP-HSK-E-40 | 2.8 |
| TCP-HSK-A-63 | 2.3 | TCP-HSK-E-50 | 3.0 |
| TCP-HSK-A-80 | 3.5 | TCP-HSK-F-63 | 3.2 |

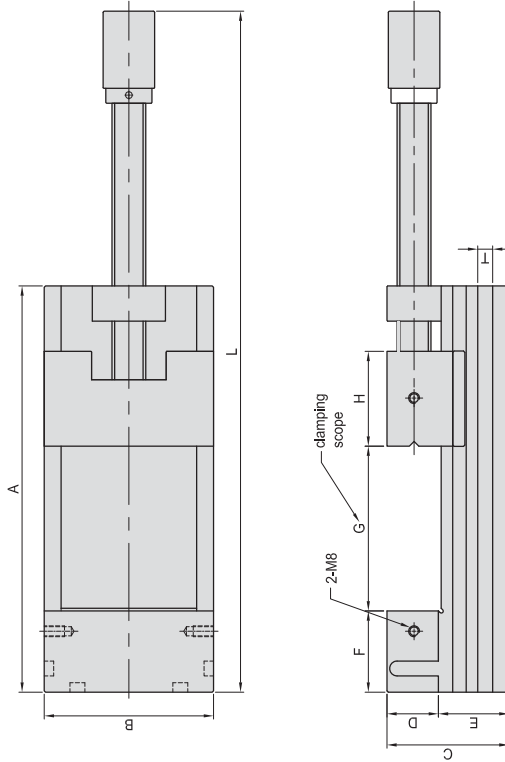
- Super precision: // ±0.005 / 100mm
L ±0.005 / 100mm
- Hardness: HRC 58°~60°
- Application: Multifunction tool makers vise, ideally suited for: inspection, grinding or edm work.



| Model No. | A | B | C | D | E | F | G | H | L | MIN | MAX | T | Material | kg |
|-----------|-----|-----|----|----|----|----|-------|----|-----|-----|--------|--------|----------|------|
| PGV-100 | 220 | 100 | 80 | 40 | 40 | 40 | 0-100 | 50 | 344 | 455 | 9 x 7 | 9 x 7 | SNCM21 | 10.0 |
| PGV-100N | | | | | | | | | | | | | SKS3 | |
| PGV-125 | 300 | 125 | 90 | 40 | 50 | 60 | 0-165 | 70 | 420 | 590 | 11 x 7 | 11 x 7 | SNCM21 | 19.5 |
| PGV-125N | | | | | | | | | | | | | SKS3 | |

TOOL MAKER VISE

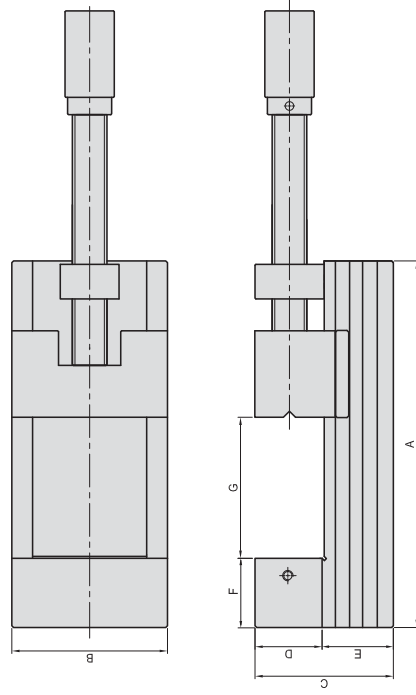
- Super precision: // $\pm 0.005 / 100\text{mm}$
 $\perp \pm 0.005 / 100\text{mm}$
- Hardness: HRC 58°~60°
- Material: SKS3
- Application: Multifunction tool makers vise, ideally suited for: inspection, grinding or edm work.



| Model No. | A | B | C | D | E | F | G | H | L | MAX | T | kg |
|-----------|-----|-----|----|----|----|----|-------|----|-----|-----|--------|----|
| PGV-125M | 300 | 125 | 90 | 40 | 50 | 60 | 0~165 | 70 | 382 | 546 | 11 x 7 | 19 |

SUPER PRECISION TOOL MAKER VISE

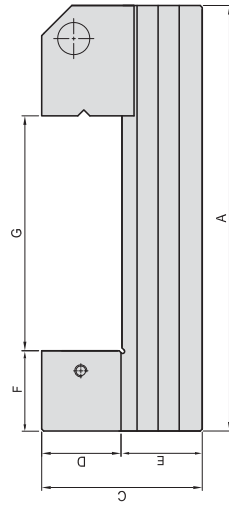
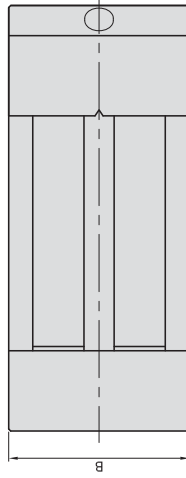
- Super precision: // $\pm 0.003 / 100\text{mm}$
 $\perp \pm 0.005 / 100\text{mm}$
- Hardness: HRC 58°~60°
- Material: SKS3



| Model No. | A | B | C | D | E | F | G | kg |
|-----------|-----|----|----|----|----|------|-------|-----|
| GVS-A560 | 95 | 60 | 50 | 25 | 25 | 26.0 | 0~30 | 1.7 |
| GVS-A570 | 165 | 70 | 62 | 30 | 32 | 33.0 | 0~80 | 4.5 |
| GVS-A590 | 212 | 90 | 80 | 40 | 40 | 41.2 | 0~120 | 8.5 |

GVS SUPER PRECISION TOOL MAKER VISE

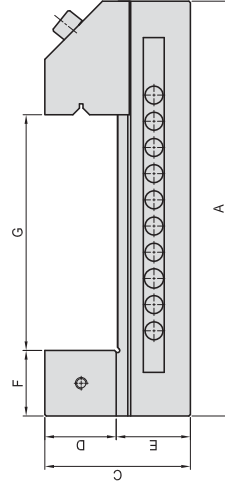
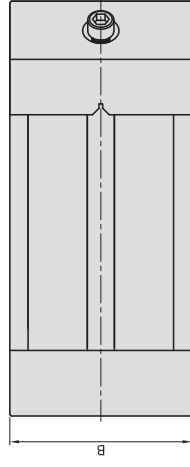
- Super precision: // ± 0.003 / 100mm
└ ± 0.005 / 100mm
- Hardness: HRC 58°~60°
- Material: SKS3



| Model No. | A | B | C | D | E | F | G | kg |
|-----------|-----|----|----|----|----|------|-------|-----|
| GVS-SV70 | 160 | 70 | 62 | 30 | 33 | 33.0 | 0~80 | 3.3 |
| GVS-SV60 | 212 | 90 | 80 | 40 | 40 | 40.5 | 0~117 | 8.3 |

GVS TOOL MAKER VISE (LARGE)

- Super precision: // ± 0.003 / 100mm
└ ± 0.005 / 100mm
- Hardness: HRC 58°~60°
- Material: SKS3



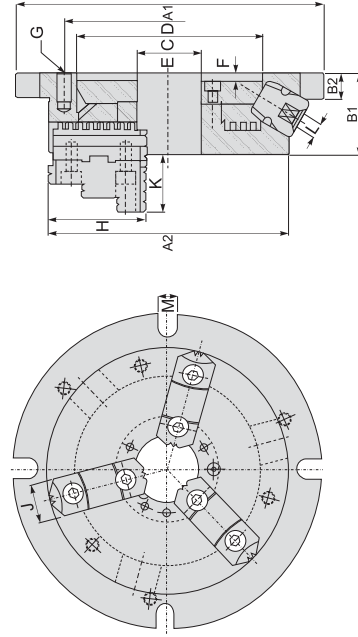
| Model No. | A | B | C | D | E | F | G | kg |
|-----------|-----|-----|-----|----|----|----|-------|----|
| GVS-VS50 | 285 | 125 | 100 | 50 | 50 | 45 | 0~160 | 18 |



NBK

ROUND SUPER THIN CHUCK

- The angle between "HANDLE" and "BASE OF CHUCK" is 30 degree, therefore, it is much more convenient for "HANDLE" rotation.
- This "POWER SUPER THIN" design of chuck may increase the "allowable length" of machining operation.
- The flanged design makes it easy to load.
- "POWERFUL TYPE" design can be used with hard or soft jaws.



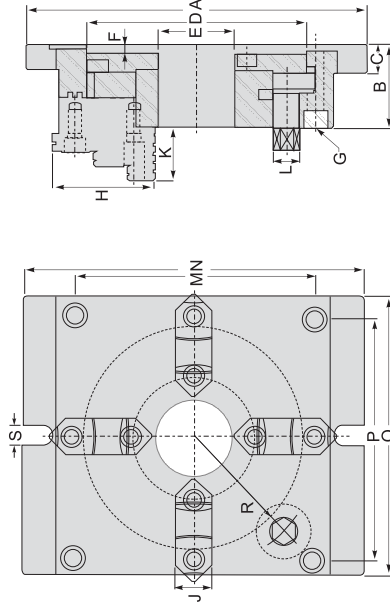
| SPEC./MODEL | A1 | A2 | B1 | B2 | C | D | E | F | G | H | J | K | L | M | N | P | Q | R | S | External | Internal |
|-------------|-----|-----|----|----|-----|-----|-----|---|-------|-----|----|----|----|----|------|------|------|------|------------|------------|----------|
| NBK-6 | 220 | 170 | 58 | 18 | 130 | 147 | 45 | 6 | 3-M10 | 68 | 26 | 40 | 10 | 13 | 11,0 | 11,0 | 11,0 | 11,0 | φ 8-φ 160 | φ 48-φ 150 | |
| NBK-8 | 270 | 210 | 65 | 20 | 155 | 172 | 60 | 6 | 3-M10 | 82 | 28 | 45 | 11 | 13 | 19,5 | 19,5 | 19,5 | 19,5 | φ 11-φ 200 | φ 62-φ 190 | |
| NBK-10 | 315 | 255 | 73 | 20 | 190 | 210 | 80 | 6 | 3-M12 | 93 | 32 | 52 | 12 | 16 | 29,5 | 29,5 | 29,5 | 29,5 | φ 12-φ 250 | φ 72-φ 240 | |
| NBK-12 | 370 | 305 | 80 | 22 | 250 | 265 | 105 | 6 | 3-M12 | 117 | 40 | 59 | 14 | 18 | 42,5 | 42,5 | 42,5 | 42,5 | φ 15-φ 300 | φ 86-φ 290 | |



MCA

SUPER THIN SQUARE CHUCKS

- End-surface Clamping design
- Super thin design
- Convex design
- Unified height for reference point
- Alignment key on bottom of chuck.
- Soft-jaws are available
- MCA square chucks

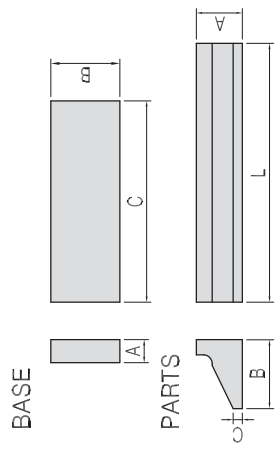


| SPEC./MODEL | A | B | C | D | E | F | G | H | J | K | L | M | N | P | Q | R | S | Max. Dia. Gripped by | | Kg | |
|-------------|-----|----|----|-----|-----|---|-------|-----|----|----|----|-----|-----|-----|-----|-----|----|----------------------|------------|------------|------|
| | | | | | | | | | | | | | | | | | | external | internal | | |
| MCA-6 | 215 | 57 | 18 | 130 | 40 | 5 | 4-M10 | 68 | 26 | 39 | 14 | 144 | 165 | 144 | 165 | 66 | 18 | 18 | φ 4-φ 128 | φ 55-φ 128 | 13,7 |
| MCA-8 | 250 | 65 | 20 | 160 | 55 | 5 | 4-M12 | 82 | 28 | 43 | 17 | 174 | 200 | 174 | 200 | 83 | 18 | 18 | φ 5-φ 162 | φ 62-φ 162 | 21,5 |
| MCA-10 | 310 | 72 | 22 | 200 | 70 | 6 | 4-M14 | 93 | 32 | 50 | 21 | 218 | 250 | 218 | 250 | 103 | 18 | 18 | φ 6-φ 200 | φ 72-φ 200 | 35,6 |
| MCA-12 | 380 | 85 | 25 | 260 | 100 | 7 | 4-M16 | 117 | 40 | 56 | 23 | 274 | 310 | 274 | 310 | 135 | 22 | 22 | φ 10-φ 265 | φ 90-φ 265 | 61,7 |

Column for Technical Data



- Material: S45C(JIS) / CK45(DIN)
- Hardness: HRC 45°
- Accuracy: A ± 0.01
B ± 0.01
C ± 0.5



| Model No. | BASE SIZE | | | PARTS SIZE | | | kg (t) |
|-----------|-----------|----|-----|------------|----|-----|------------|
| | A | B | C | A | B | C | |
| GP102-05 | 5 | 16 | 100 | - | - | - | - |
| GP102-06 | 6 | 18 | 100 | - | - | - | - |
| GP102-08 | 8 | 24 | 100 | - | - | - | - |
| GP102-10 | 10 | 30 | 100 | - | - | - | - |
| GP102-12 | 12 | 36 | 150 | - | - | - | 1 SET/11.6 |
| GP102-14 | 14 | 48 | 150 | - | - | - | - |
| GP102-18 | 18 | 60 | 150 | - | - | - | - |
| GP102-22 | 22 | 62 | 150 | - | - | - | - |
| GP102-24 | - | - | - | 15 | 31 | 2.5 | 200 |



| MODEL NO. | Fit T-Type Groove | Bolts | kg |
|-----------|-------------------|-------|------|
| MK-1210 | 12 | M10 | 8.0 |
| MK-1412 | 14 | M12 | 9.5 |
| MK-1614 | 16 | M14 | 10.5 |
| MK-1816 | 18 | M16 | 19.0 |
| MK-2018 | 20 | M18 | 21.0 |

| Kind | Specification |
|---|--|
|  | 6 PCS |
|  | 4 PCS |
|  | 75.100.125. 150.175.200 SIX KIND / EACH 4 PCS |
|  | THREE KIND / EACH 4 PCS |
|  | THREE KIND / EACH 2 PCS |
|  | 6 PCS |
| TOTAL : 58 PCS | |

